

Technical data sheet

Product features



Regeneration oven REGBOX programmable 14x GN 1/1 - 400 V

Model	SAP Code	00010477
--------------	-----------------	----------



- Number of programs: 10
- Food regeneration: Yes
- Humidification: Yes
- Automatic preheating: Yes
- Maximum device temperature [°C]: 170
- Control type: Digital
- Probe: Injectable
- Number of GN / EN: 14
- GN / EN size in device: GN 1/1
- GN device depth: 150

SAP Code	00010477	Loading	400 V / 3N - 50 Hz
Net Width [mm]	820	Number of GN / EN	14
Net Depth [mm]	750	GN / EN size in device	GN 1/1
Net Height [mm]	1500	GN device depth	150
Net Weight [kg]	140.00	Control type	Digital
Power electric [kW]	15.900		

Technical data sheet

Technical drawing

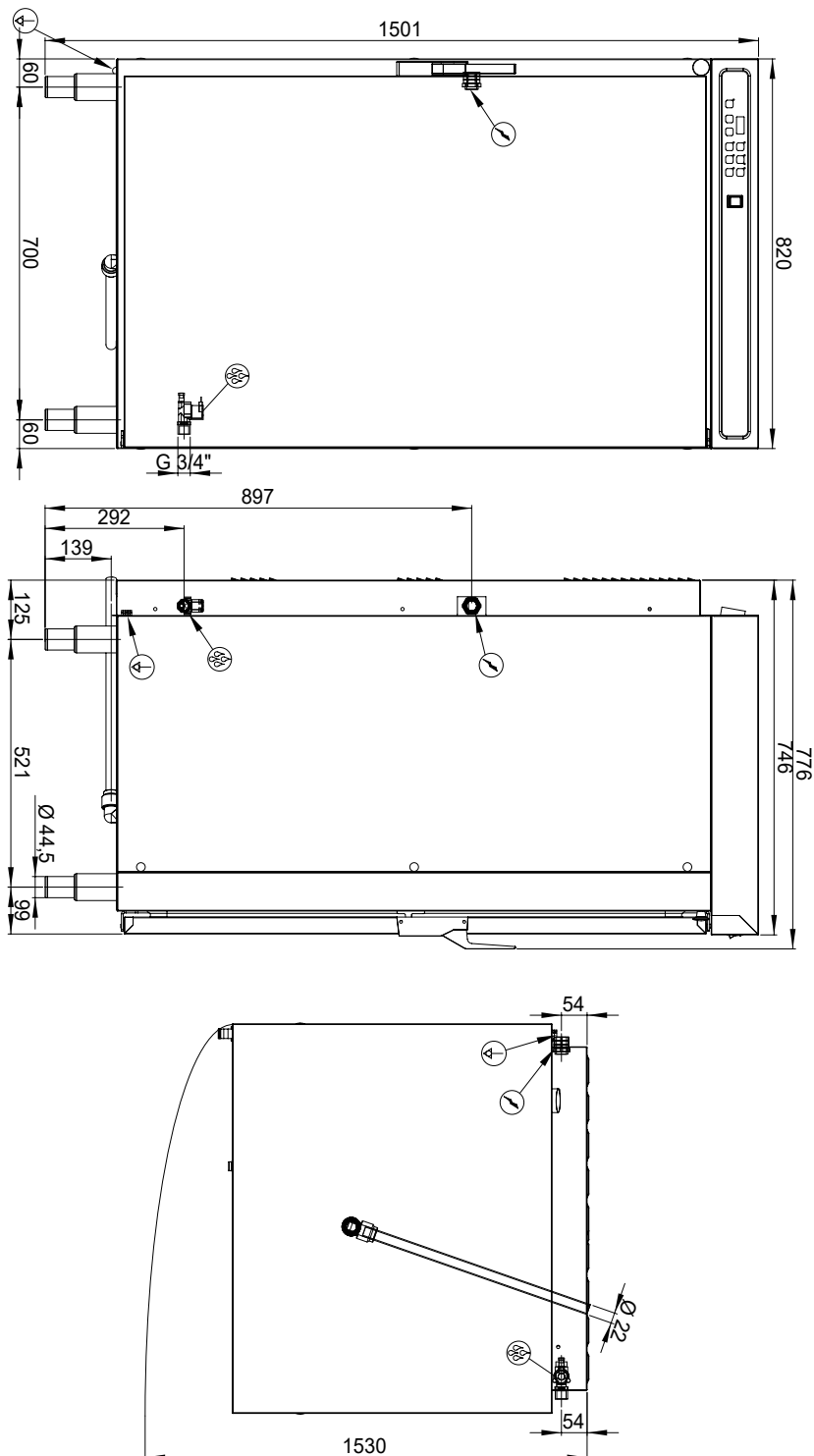


Regeneration oven REGBOX programmable 14x GN 1/1 - 400 V

Model

SAP Code

00010477



Technical data sheet

Product benefits



Regeneration oven REGBOX programmable 14x GN 1/1 - 400 V

Model

SAP Code

00010477

1

All-stainless steel construction

round construction with stainless steel, rounded edges

- easy cleaning, high hygiene standard, long service life

2

External temperature probe

temperature probe located outside the cooking space

- positioning outside the cooking chamber extends its life; ensuring total food hygiene safety; HACCP record; control of heat treatment in the absence of the cook

3

Programmable control

control allowing to set 10 programs

- Possibility to store preset programmes for heat treatment and regeneration suitable for networks, trained operator only: Second machine for the combi-steamer

4

Temperature up to 170°C

powerful heating element made of Incoly material
temperature range from 30 to 170 °C

- allows both regeneration and cooking of food

5

High mobility

the version with wheels and water pump can be used as a mobile device

- use for banquets and remote dispensing

Technical data sheet

Technical parameters



Regeneration oven REGBOX programmable 14x GN 1/1 - 400 V

Model

SAP Code

00010477

1. SAP Code:

00010477

13. Material:

AISI 304

2. Net Width [mm]:

820

14. Adjustable feet:

Yes

3. Net Depth [mm]:

750

15. Control type:

Digital

4. Net Height [mm]:

1500

16. Automatic preheating:

Yes

5. Net Weight [kg]:

140.00

17. Number of GN / EN:

14

6. Gross Width [mm]:

905

18. GN / EN size in device:

GN 1/1

7. Gross depth [mm]:

900

19. GN device depth:

150

8. Gross Height [mm]:

1600

20. Maximum device temperature [°C]:

170

9. Gross Weight [kg]:

160.00

21. Humidification:

Yes

10. Device type:

Electric unit

22. Probe:

Injectable

11. Power electric [kW]:

15.900

23. Number of programs:

10

12. Loading:

400 V / 3N - 50 Hz

24. Food regeneration:

Yes